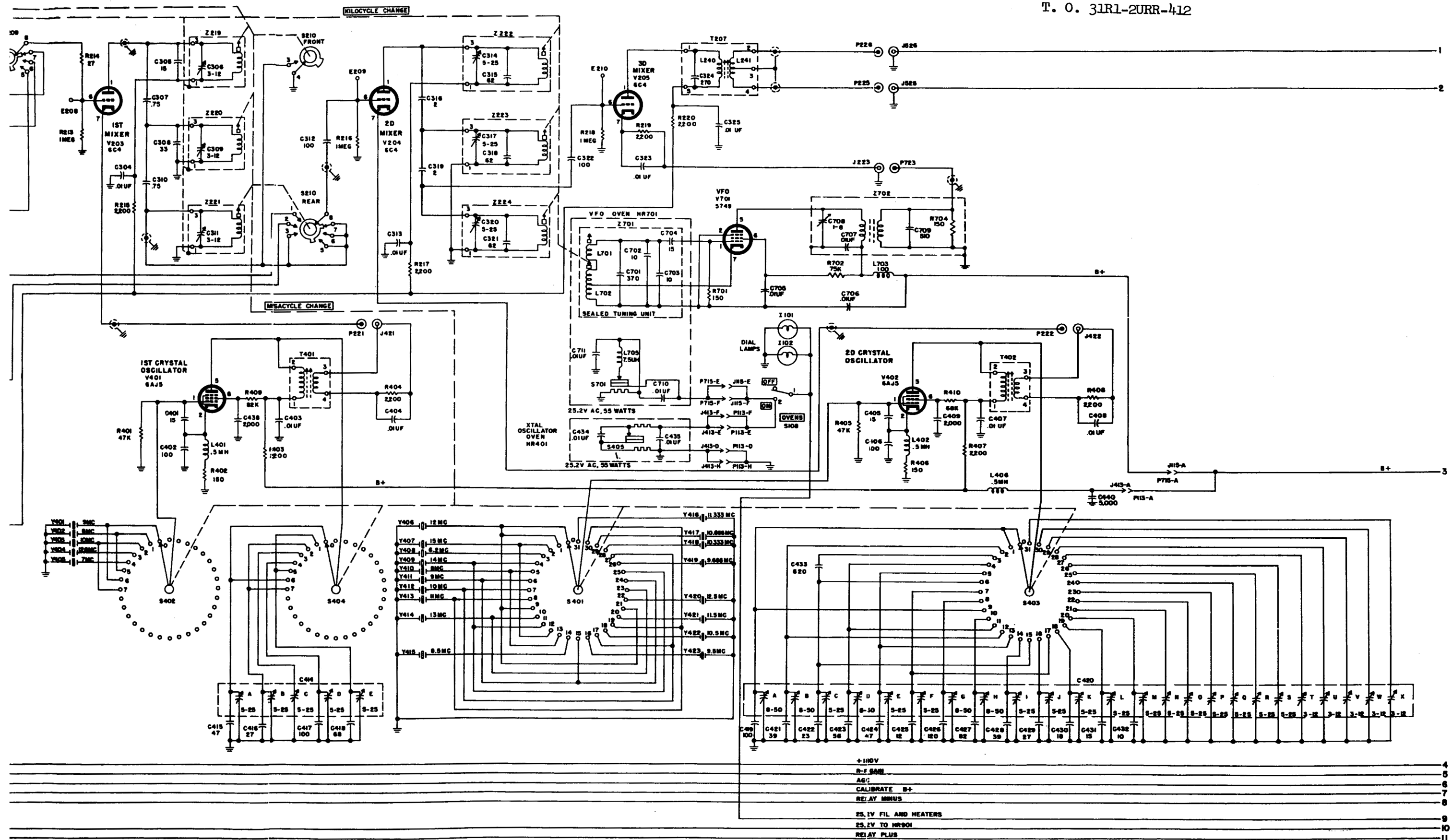


Figure 74 1. Radio Receiver R-390/URR, main schematic diagram (part 1 of 2).



- 4 +100V
- 5 R-F GND
- 6 A.C.
- 7 CALIBRATE B+
- 8 RELAY MINUS
- 9 25.1V FIL AND HEATERS
- 10 25.2V TO 6R901
- 11 RELAY PLUS

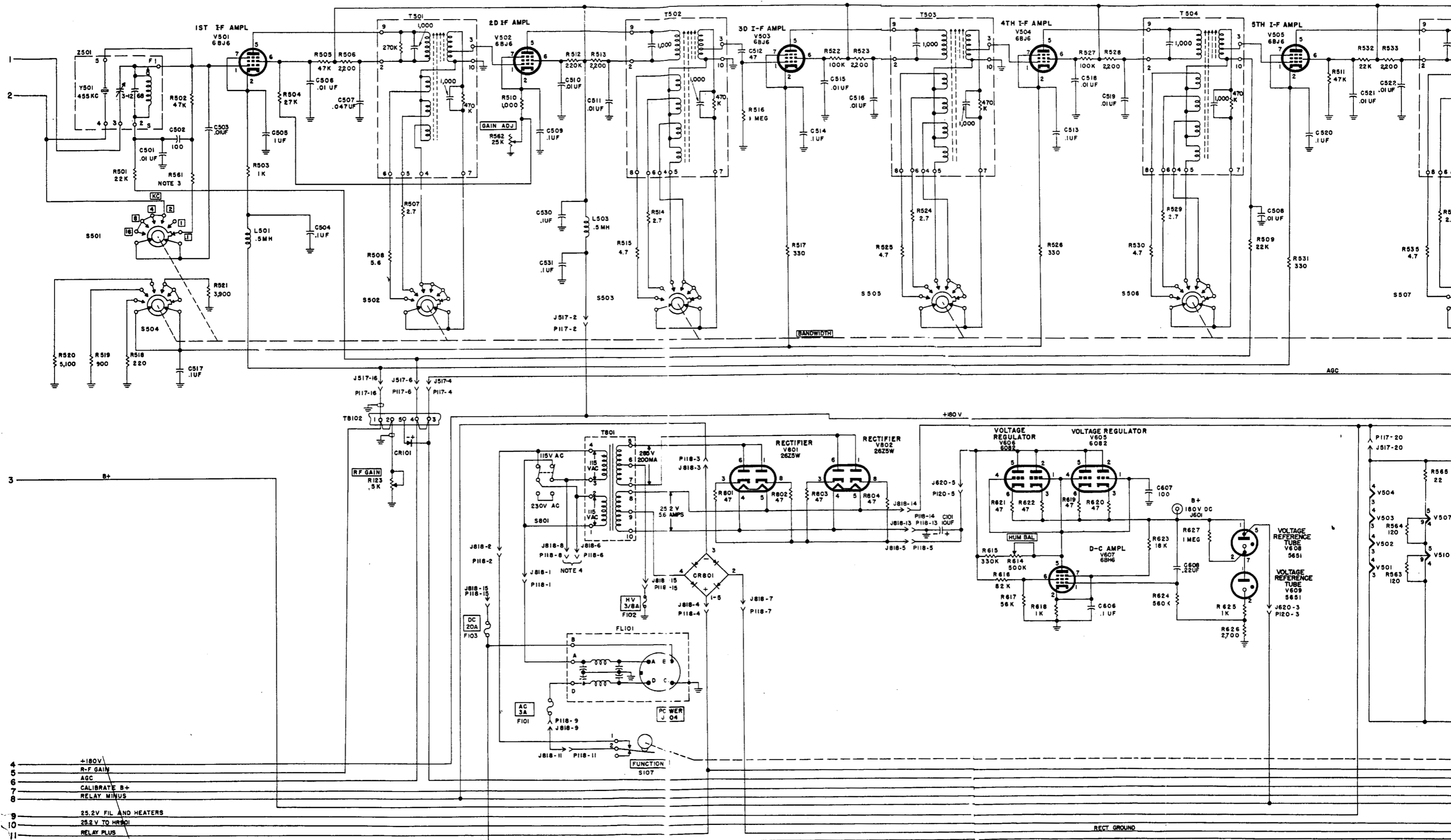


Figure 74 2. Radio

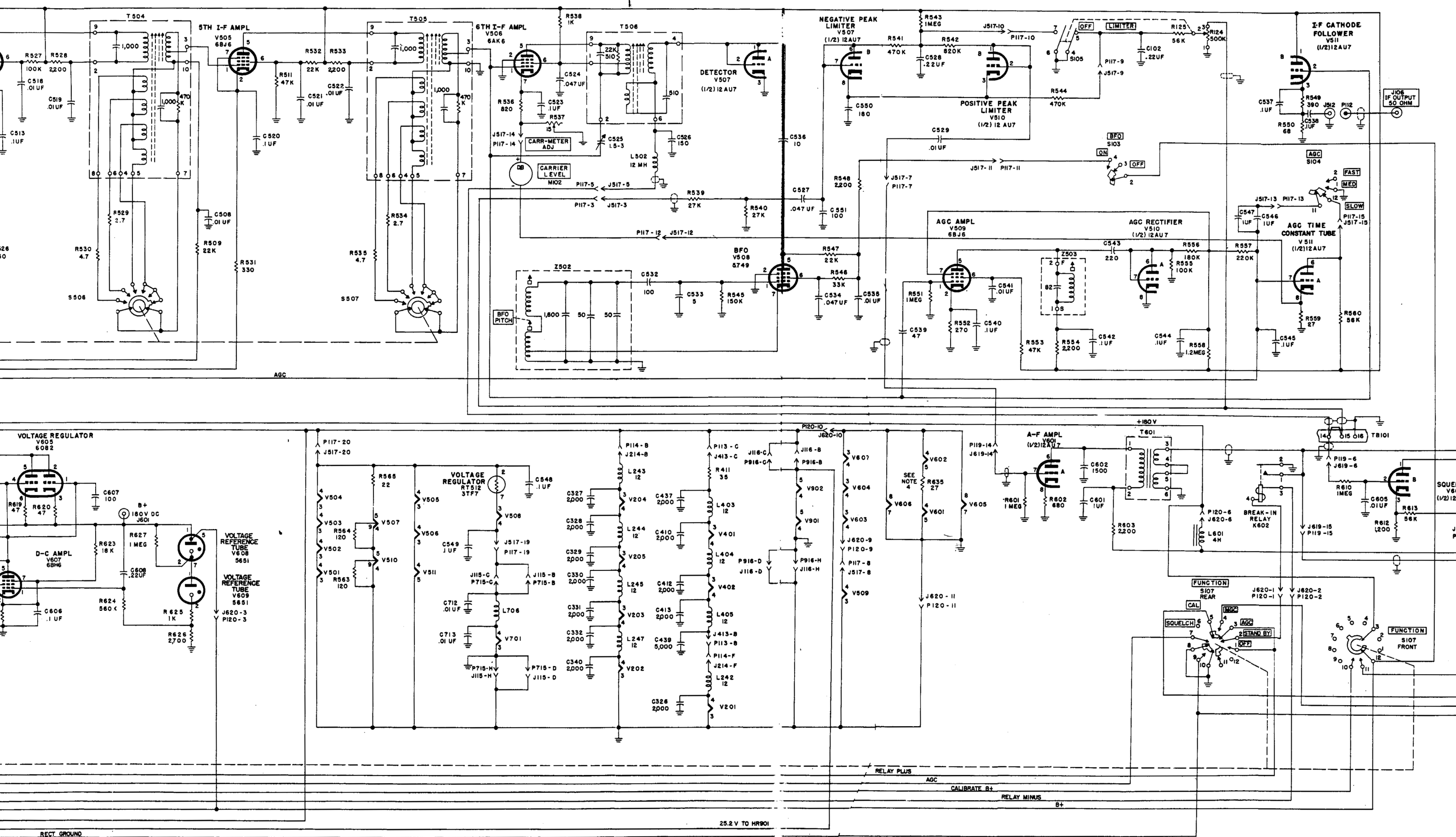
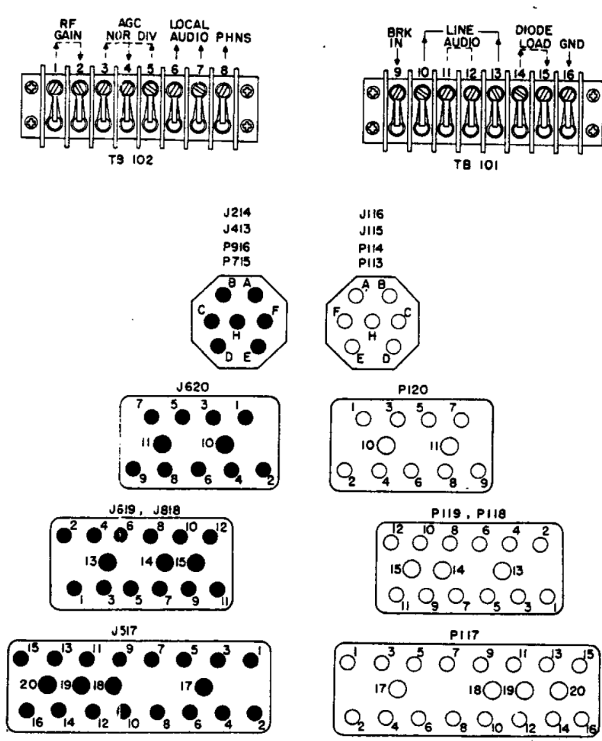
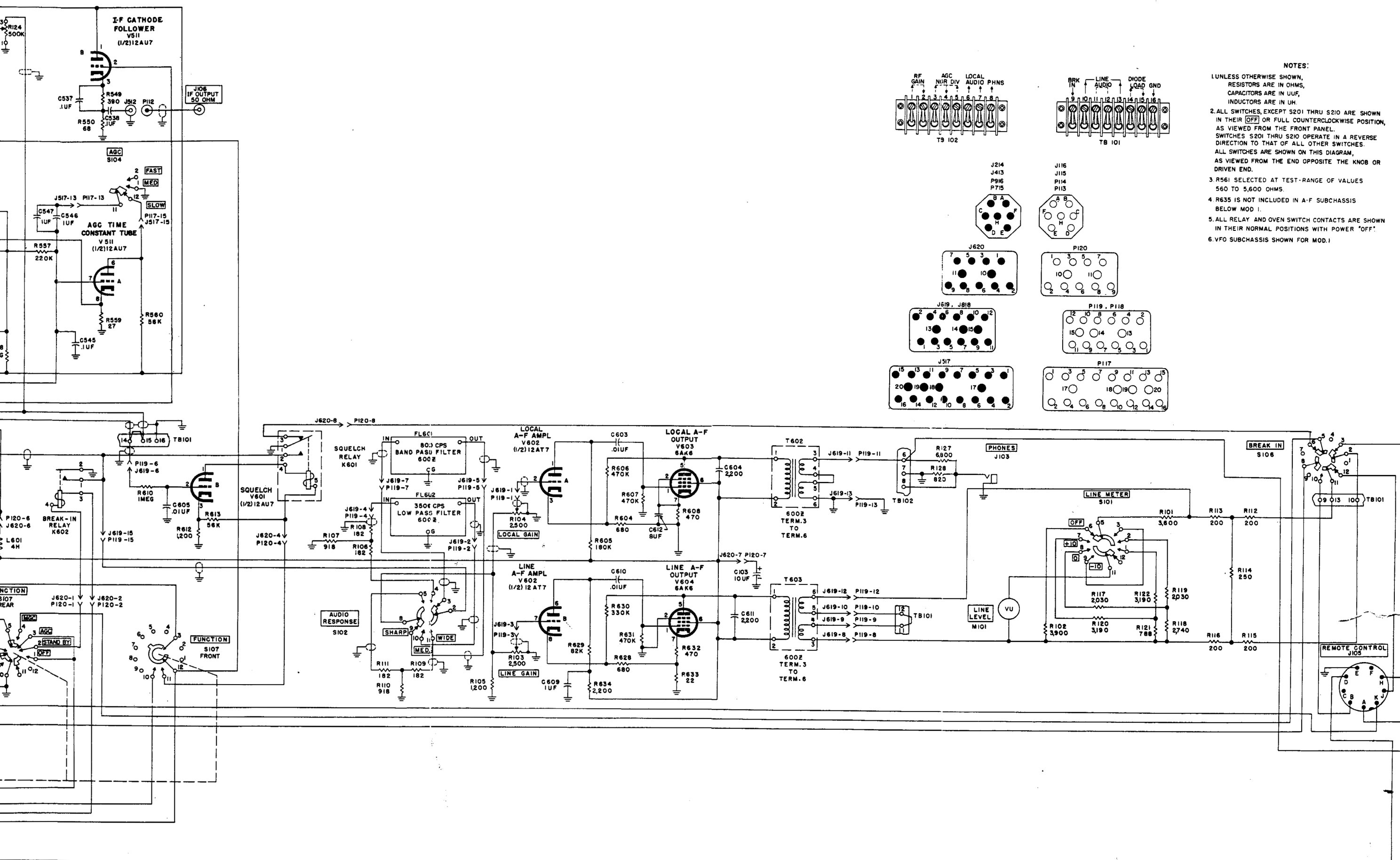


Figure 74 2. Radio Receiver R-390/URR, main schmatic diagrc:m (part 2 of 2).



- NOTES:**
1. UNLESS OTHERWISE SHOWN, RESISTORS ARE IN OHMS, CAPACITORS ARE IN UUF, INDUCTORS ARE IN UH.
 2. ALL SWITCHES, EXCEPT S201 THRU S210 ARE SHOWN IN THEIR [OFF] OR FULL COUNTERCLOCKWISE POSITION, AS VIEWED FROM THE FRONT PANEL. SWITCHES S201 THRU S210 OPERATE IN A REVERSE DIRECTION TO THAT OF ALL OTHER SWITCHES. ALL SWITCHES ARE SHOWN ON THIS DIAGRAM, AS VIEWED FROM THE END OPPOSITE THE KNOB OR DRIVEN END.
 3. R561 SELECTED AT TEST-RANGE OF VALUES 560 TO 5,600 OHMS.
 4. R635 IS NOT INCLUDED IN A-F SUBCHASSIS BELOW MOD 1.
 5. ALL RELAY AND OVEN SWITCH CONTACTS ARE SHOWN IN THEIR NORMAL POSITIONS WITH POWER "OFF".
 6. VFO SUBCHASSIS SHOWN FOR MOD. 1.